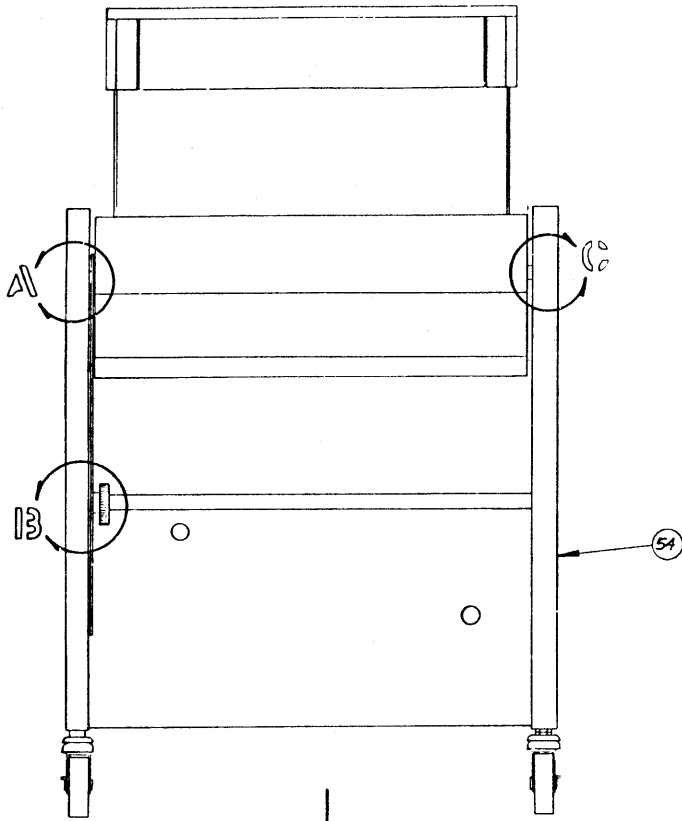


NEXT HIGHER ASSEMBLY NO. 4010202, 4010203, 4010204

ITEM NO.	AMPEX PART NO.	REFERENCE NUMBER	DESCRIPTION	JEDEC NO. OR MFR. PART NO.
1	4041012-01		COVER ASSY, ELECTRONICS SUPPORT	
2	4040977-01		LINK ASSY, SWIVEL	
4	4040980-02		SUPPORT, FRONT PANEL	
5	4040981-06		PANEL, FRONT, CONSOLE	
6	4220246-01		SPACER, ELEC, SUPPORT COVER	
7	4040983-01		COVER, DOGHOUSE SUPPORT	
9	4100184-01		KNOB, CONSOLE	
10	4150226-02		TRUNNION	
11	4150316-01		SUPPORT, DOGHOUSE	
12	4150328-01		FRAME, TAPE TRANSPORT	
13	4210317-01		STUD, LOCK	
14	4260404-03		SUPPORT, ELEC, CONSOLE	
15	4440295-01		WASHER, SPACER	
16	4440295-02		WASHER, SPACER	
17	4440296-01		WASHER, TAKEUP	
18	4440297-01		WASHER, THRUST	
19	4440302-01		WASHER, THRUST	
20	471-072		SCREW, MACH, PAN HD, XREC, NO. 6-32 X 5/8 LG	
22	478-031		SCREW, WOOD, RD HD, XREC, NO. 8 X 3/4 LG	
23	478-157		SCREW, WOOD, FL HD, XREC, NO. 6 X 3/4 LG	
24	480-070		BOLT, HEX HD, 5/16 - 18 X 1-1/4	
25	492-009		NUT, HEX, NO. 6-32	
26	492-067		NUT, HEX, 1/4-20	
29	501-009		WASHER, FLAT, NO. 6	
30	501-022		WASHER, FLAT, 5/16	
32	502-003		WASHER, LOCK, SPLIT, NO. 6	
33	502-105		WASHER, LOCK, SPLIT, 5/16	
34	4440303-01		WASHER	
37	302-094		CLAMP, CABLE, NYLON, 7.5 LG	
46	502-025		WASHER, LOCK, INT TOOTH, NO. 6	
52	501-067		WASHER, FLAT, 1/4"	
54	4040979-03		BASE ASSY, CONSOLE	
57	471-081		SCREW, PAN HD, XREC, 8-32 X 0.625 LG	
58	492-010		NUT, HEX, 8-32	
59	501-205		WASHER, NO. 8	
60	502-004		WASHER, LOCK, SPRING, NO. 8	
			VERSION: 4020084-06 SINGLE CHANNEL 4020084-07 DUAL CHANNEL 4020084-09 FOUR CHANNEL	

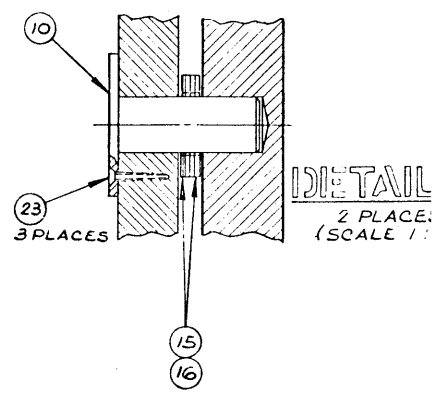
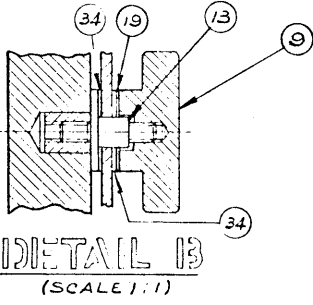
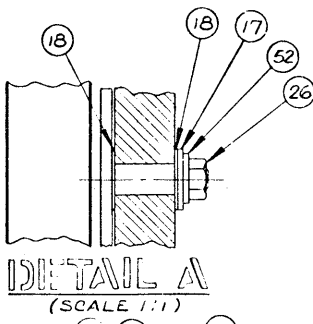
12

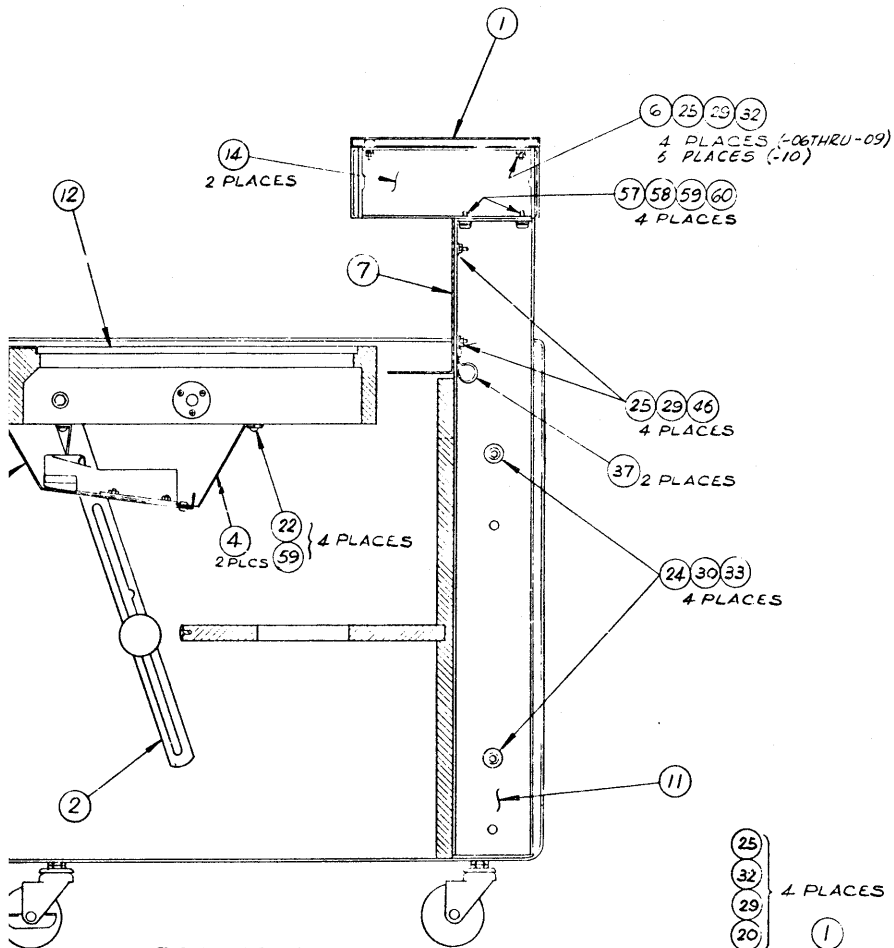
- (1) SHOWN



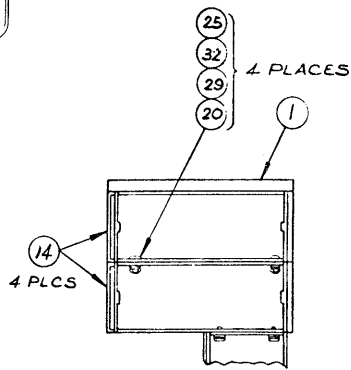
5

12

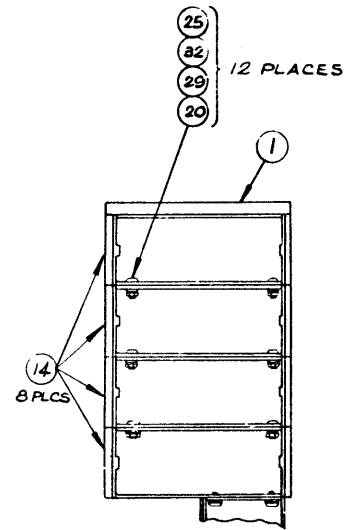




SECT. D-D

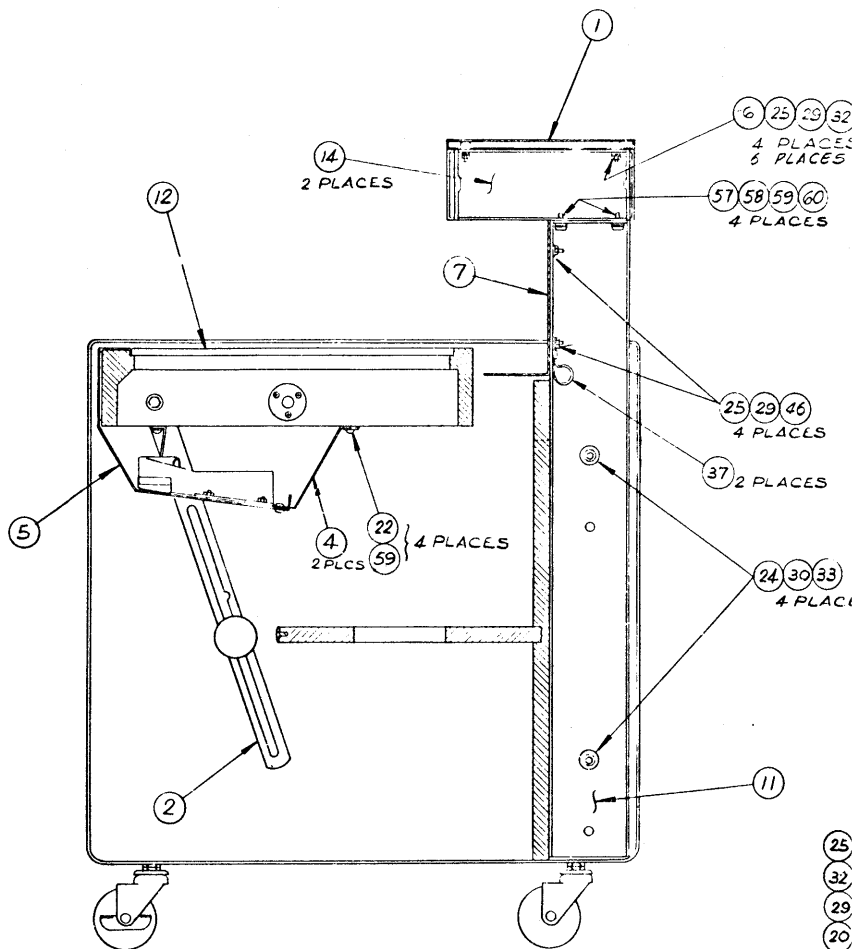
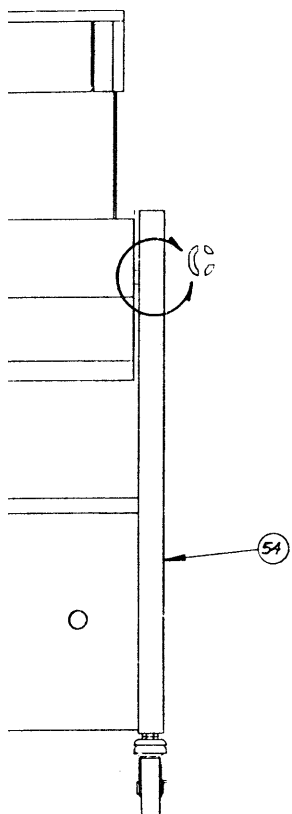


- () 7
2 CHANNEL

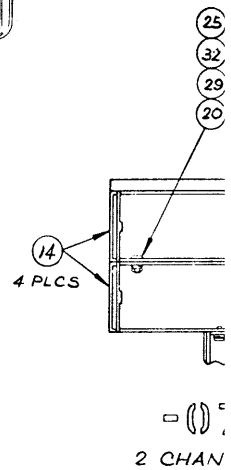
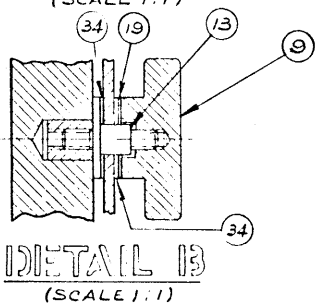
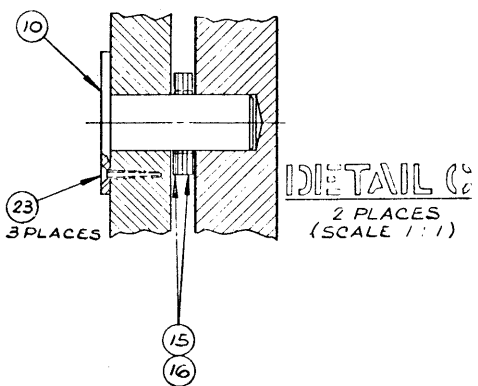
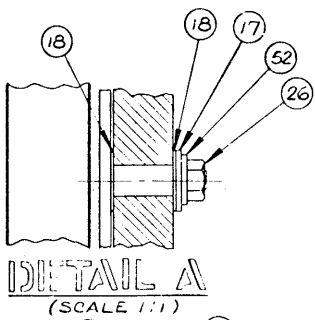


- () 9
4 CHANNEL

- (1) G SHOWN



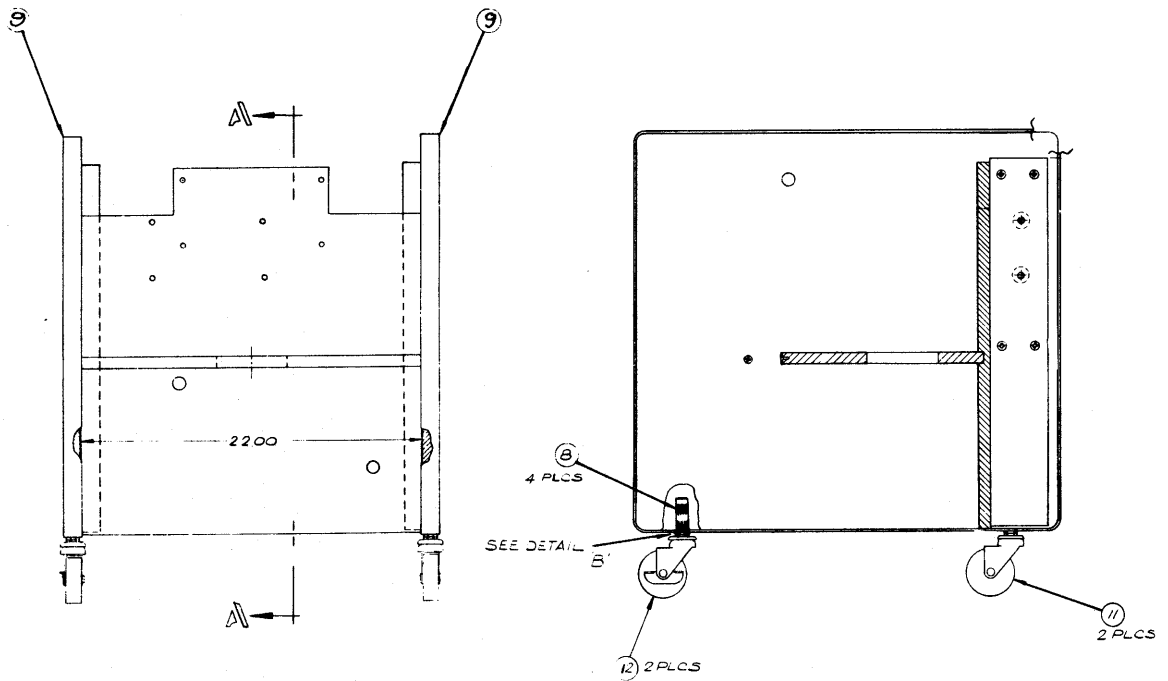
SECT. D-D



NEXT HIGHER ASSEMBLY NO. 4020084

ITEM NO.	AMPEX PART NO.	REFERENCE NUMBER	DESCRIPTION	JEDEC NO. OR MFR. PART NO.
8	4210315-01		INSERT, CASTER MOLDING, SIDE PANEL CASTER CASTER W/BRAKE	
9	4980005-01			
11	4150169-01			
12	4150169-02			

VERSION: 4040979-04



SECT. A-A

